

TremLock® T-238

Standing Seam Metal Roof System

FEATURES

- Metal-Over-Metal Recover System
- No end laps. Continuous panels up to 200'
- Individual panel removal and replacement

BENEFITS

- No additional framing needed
- Job site production enables eave to ridge panels
- Easy repairs



DESCRIPTION

TremLock T-238 Roof System is a factory roll formed metal roof system that is manufactured from 24, 22 or 20 gauge Galvalume®, an aluminum-zinc alloy meeting ASTM A792, Class AZ-50. Galvalume carries a 25 year warranty against perforation, rupture and structural failure due to exposure to normal environmental conditions. The galvalume panel is coated with Kynar 500® / Hylar 5000®.

BASIC USES

The TremLock T-238 Metal Roof System can be specified as a new or retrofit system for Architectural application on roof slope minimum 1/4:12. The TremLock T-238 system is a versatile structural standing seam design that can also be used as a wall panel. The TremLock T-238 panels are capable of spanning secondary structural members spaced up to five feet and can be applied to light gauge steel framing, 5/8" minimum plywood decks or metal deck and rigid insulation.

SYSTEM DESIGN

TremLock T-238 Roof System is designed as a two-piece mechanically seamed roof panel with a 2-3/8" standing seam height, consisting of a metal panel and seam cap. The TremLock T-238 has a seam in the form of a "T" with two beads of continuous factory applied sealant located at the top of the seam and can be applied in a continuous length up to 200'. The system is ideal for retro-fit or new construction.

When used in a curving application: TremLock T-238 panels can be curved (16", 18" widths only). TremLock T-238 and Multi-Span Clips are curved onsite. Minimum Radius: Steel 24' radius, Aluminum 14' radius. Multi-Span Clips - 35' radius. Maximum length on Multi-Span Clips is 30'. TremLock T-238 flat panels will curve naturally on a radius of 200' or greater. When using TremLock T-238 in a radius application an underlayment must be applied to the substrate using specified felt or rubberized asphaltic membrane.

FINISH/COLOR

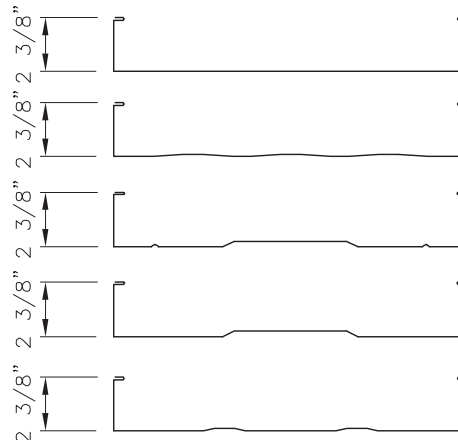
- Acrylic Coated Galvalume
- Fluoropolymer (Kynar 500 PVDF resin-based)
- Oil canning is inherent in all metal panels and is not cause for panel rejection.

APPLICATION

TremLock T-238 is a symmetrical structural roof/wall panel used on slopes down to 1/4:12. Continuous lengths up to 200'. Tapered panels and convex curving available - 24' radius minimum. Refer to TremLock T-238 Installation Manual.

SECTION PROPERTIES & PROFILES

- Flat:**
Optimum widths 16", 18" or 24"
- Striated:**
Optimum widths 16", 18" or 24"
- Plank & Pencil: (recommended)**
Optimum widths 16", 18" or 24"
- Plank:**
Optimum widths 16", 18" or 24"
- Minor Rib:**
Optimum widths 16", 18" or 24"

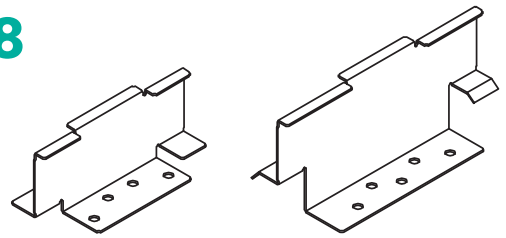


**SECTION PROPERTIES
& PROFILES**
CONTINUED

TremLock® T-238

Standard Clip: 16 GA

Standard: Galvanized ASTM A653 (50 ksi)
Optional: Stainless 304SS ASTM A240 (50 ksi)



Multi-Span Clip: 2-Piece

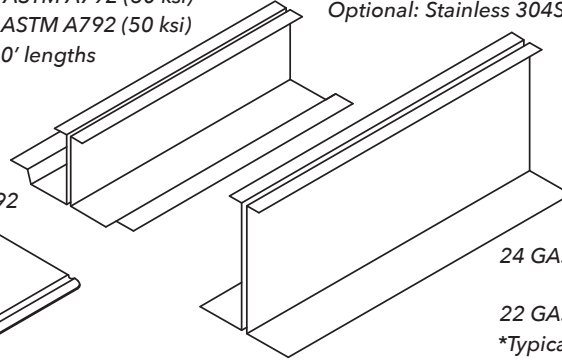
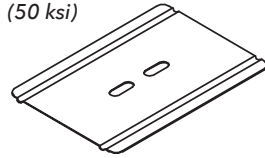
Standard: 24 GA. - ASTM A792 (50 ksi)
Optional: 22 GA. - ASTM A792 (50 ksi)
*Typically sold in 10' lengths

Retrofit Clip: 16 GA

Standard: Galvanized ASTM A653 (50 ksi)
Optional: Stainless 304SS ASTM A240 (50 ksi)

Bearing Plate:

24 GA. - ASTM A792
(50 ksi)

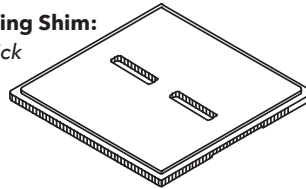


Tall Multi-Span Clip:

2-Piece
Standard: 24 GA. - ASTM A792 (50 ksi)
Optional: 22 GA. - ASTM A792 (50 ksi)
*Typically sold in 10' lengths

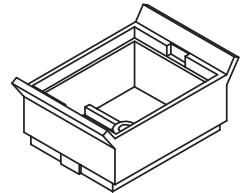
Stackable Leveling Shim:

6" x 6" x 1/4" Thick

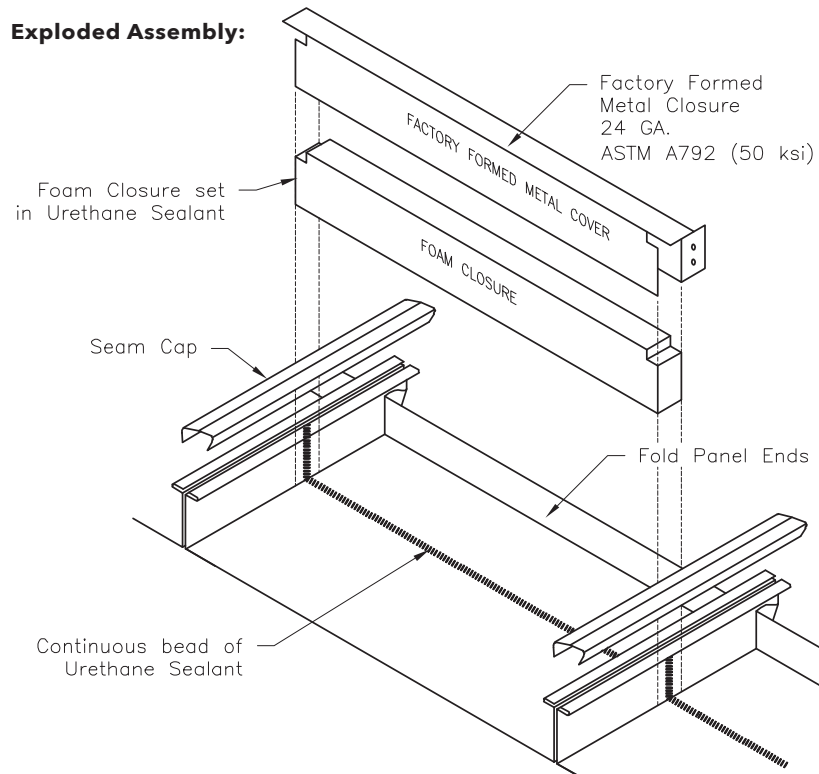


1 3/8" Pedestal:

For use with Multi-Span Clip Only
20% Glass-Filled
Polycarbonate Black



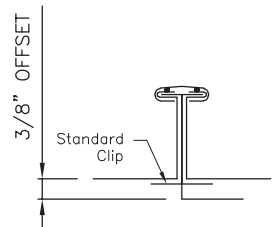
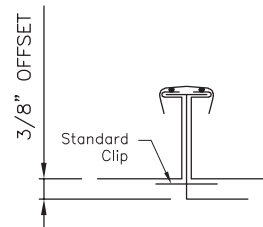
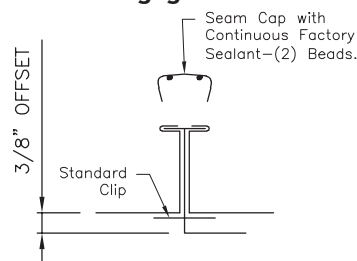
Exploded Assembly:



Seamed Engagement:

Before Seaming:

After Seaming:



**SECTION PROPERTIES
& PROFILES**
CONTINUED

PHYSICAL PROPERTIES

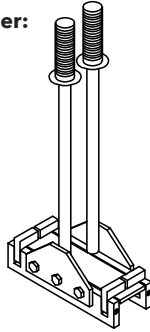
MAINTENANCE

PRECAUTIONS

TECHNICAL SUPPORT

TremLock® T-238

Hand Seamer:



Mechanical Seamer:



TITLE OF TEST	TEST METHOD
Uplift Test	FM 4471 Class 1-75, Class 1-195, UL 580 Class 90, ASTM E1592
Static Water	FM 4471 Appendix G, ASTM E2140
Air & Water Filtration	ASTM E1680, ASTM E1646
Impact Resistance	UL Class 4, FM Class 1-SH
Fire Rating	UL Class A
Texas Windstorm	RC-270
Florida State Approval	16606.1, 16606.2, 16606.3
Miami Dade Approval	NOA # 15-1216.03
ICC-ES Approval	ESL-1082
FM Class	1-SH

Your local Tremco Roofing Sales Representative can provide you with effective maintenance procedures which may vary, depending upon specific conditions. Periodic inspections, early repairs and preventative maintenance are all part of a sound roof program.

Users must read container labels and Safety Data Sheets for health and safety precautions prior to use.

Your local Tremco Roofing Sales Representative, working with the Technical Service Staff, can help analyze conditions and needs to develop recommendations for special applications.



www.tremcoroofing.com
3735 Green Road
Beachwood, Ohio 44122
1.800.852.6013

220 Wicksteed Avenue
Toronto, Ontario, M4H 1G7
1.800.668.9879

Tremco Roofing and Building Maintenance is part of Tremco Construction Products Group.

Tremco is a US Registered trademark of Tremco CPG Inc.

The information provided on this data page supersedes all previous data concerning this product and its application.

The Statements provided concerning the materials shown are intended solely as a general guide for material usage and are believed to be true and accurate. Since the manner of use is beyond our control, Tremco DOES NOT MAKE NOR DOES IT AUTHORIZE ANY WARRANTY OF MERCHANTABILITY OR FITNESS FOR ANY PURPOSE, OR ANY OTHER WARRANTY, GUARANTEE OR REPRESENTATION, EXPRESSED OR IMPLIED, CONCERNING THIS MATERIAL EXCEPT THAT IT CONFORMS TO TREMCO'S PRODUCT SAMPLE. Buyer and user accept the product under those conditions and assume the risk of any failure, injury of person or property and loss or liability resulting from the handling, storage or use of the product, whether or not it is handled, stored, used in accordance with directions or specifications. UNDER NO CIRCUMSTANCE SHALL TREMCO BE LIABLE FOR CONSEQUENTIAL OR INCIDENTAL DAMAGES ARISING FROM ANY BREACH OF WARRANTY. IN ALL CASES, TREMCO'S LIABILITY IS LIMITED, AT TREMCO'S OPTION, TO THE REPLACEMENT OF GOODS, OR THEIR VALUE, PROVEN TO BE DEFECTIVE IN MANUFACTURING.

TremLock® is a U.S. registered trademark of Tremco CPG Inc.

Kynar 500® is a U.S. registered trademark of Arkema Inc.

Hylar 5000® is a U.S. registered trademark of Solvay Solexis, Inc.

Galvalume® is a U.S. registered trademark of BIEC International Inc.

Fluoropon® is a U.S. registered trademark of SWIMC LLC.